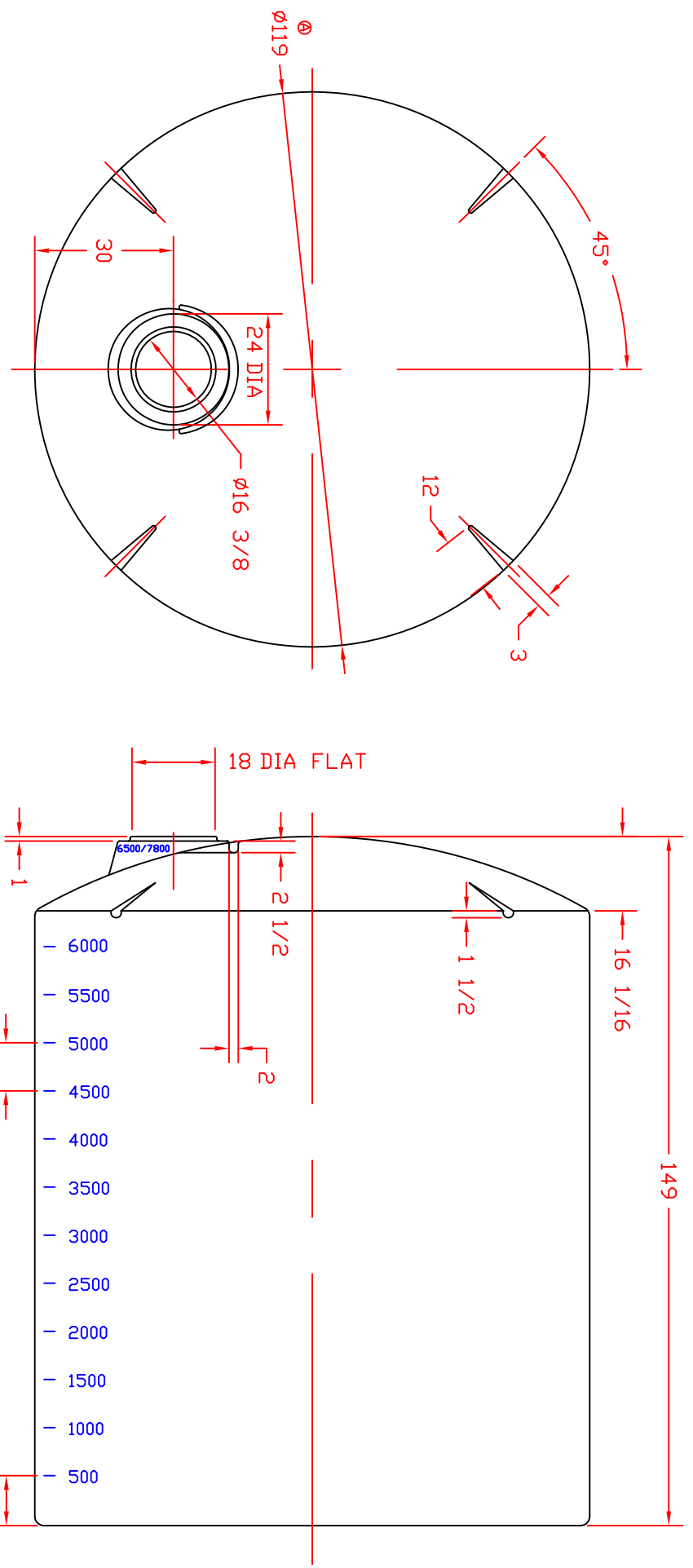


REVISIONS				
ZONE	REV	DESCRIPTION	DATE	APPROVED
A		UPDATE TO PRODUCTION		
			08SEP06	



		ST. BONIFACIUS, MN	
6500 GALLON VERTICAL TANK		DWG NO.	
JTP	26AUG94	SCALE	1/24
B	SIZE	FSCM NO.	REV
			A
SHEET			